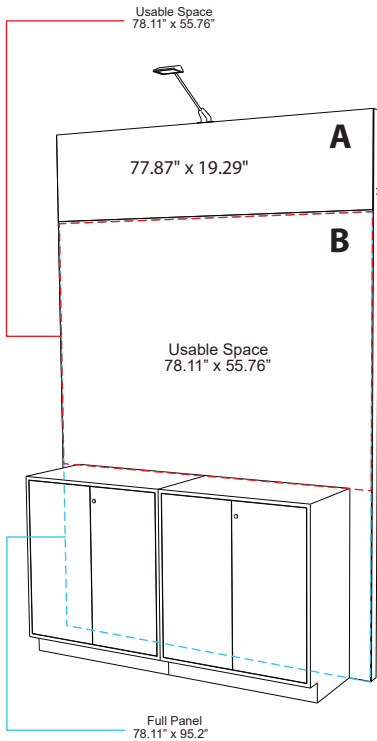


*Section A needs to include either the Company name or company logo

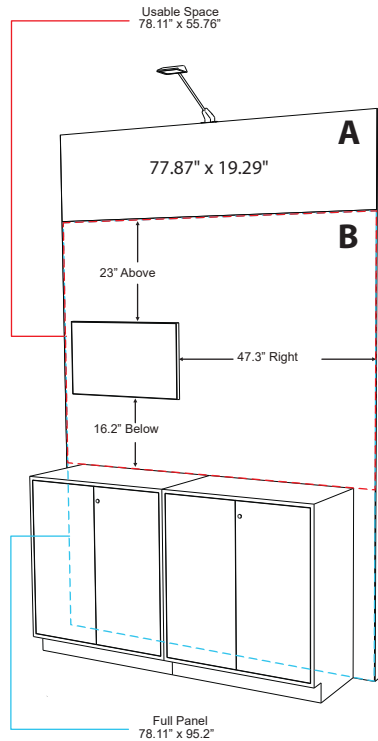
GOLD KIOSK (PREMIER)

2M Wide x 9.5' Tall with Seamless SEG Graphics

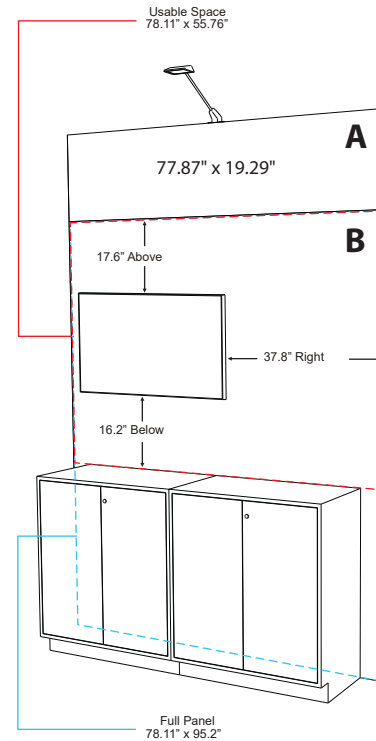
GRAPHIC SUBMISSION GUIDELINES



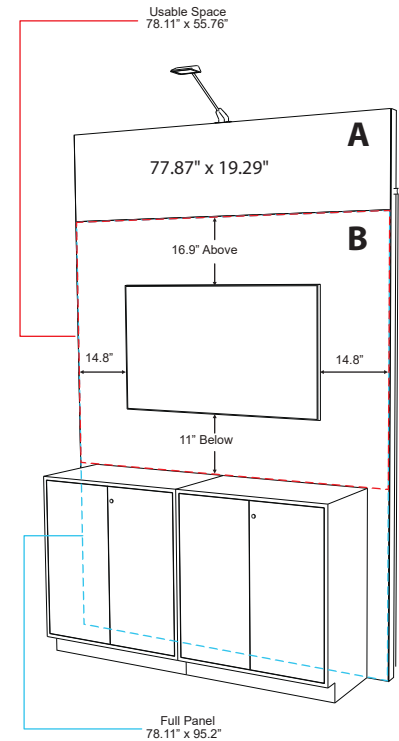
OPTION 1
 No Monitor



OPTION 2A
 Optional 32" Monitor



OPTION 2B
 Optional 43" Monitor



OPTION 3
 Optional 55" Monitor

*For Panel B – While the visible graphic area is only 78.11" x 55.69", the graphic file for submission must be 78.11" x 95.2"



Directions North America 2024

April 14-17, 2024
 Sheraton San Diego Hotel & Marina, San Diego, CA

WILLWORK
 7500 Exchange Drive,
 Orlando, FL 32809
 774-568-5425
 EXHIBITORSERVICES@WILLWORK.COM

GOLD KIOSK (PREMIER) ORDER FORM

ARTWORK SUBMISSION DEADLINE	2/15/2024
ARTWORK APPROVAL DEADLINE (all artwork submitted and approved).....	3/7/2024
ARTWORK LATE APPROVAL PERIOD (Sponsor incurs 30% rush fee)	3/21/2024
Please note: If approved graphics are not received by Thursday, March 21, 2024, your company logo will be printed in lieu of your graphics.	

PLEASE SUBMIT TWO ORDER FORMS, ONE FOR EACH KIOSK.

Description

GOLD KIOSK (PREMIER)*

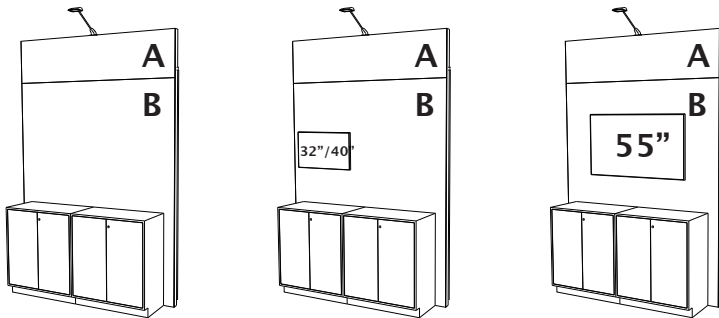
*Includes 2 Graphic Panels (A & B)

A. Header Panel: 77.87" wide x 19.29" high

File Name: _____

B. Back Panel: 78.11" wide x 95.2" high*

File Name: _____



32" Mounted Monitor is Optional
 Rental price is \$320.00 for the 32" monitor and includes the mount and HDMI cable.

43" Mounted Monitor is Optional
 Rental price is \$400.00 for the 43" monitor and includes the mount and HDMI cable.

55" Mounted Monitor is Optional
 Rental price is \$550.00 for the 55" monitor and includes the mount and HDMI cable.

CIRCLE ONE

OPTION 1

OPTION 2A
 32" monitor

OPTION 3

OPTION 2B
 43" monitor

PLEASE NOTE:

AV is NOT included.

*For Panel B – While the visible graphic area is only 78.11" x 55.76", the graphic file for submission must be 78.11" x 95.2". Please see page 1 for size breakdown.

**Electrical drop will be placed into the demo counter, as shown in the rendering. If you require additional drops, or placement of your drops to be in a location other than the back of your kiosk, please contact the Sheraton. If you need to upgrade your drops, you will be credited for the value of the drops included in your sponsorship package by the electrical services provider.

***If hardline Internet is required, please order separately. Please contact the Sheraton

150 DPI – PRINTABLE PDF OR ILLUSTRATOR FILE – exhibitorservices@willwork.com

Please print or type information below:

Contact Name:	Email:
Telephone:	Fax:
Exhibiting Company Name:	Kiosk Number:

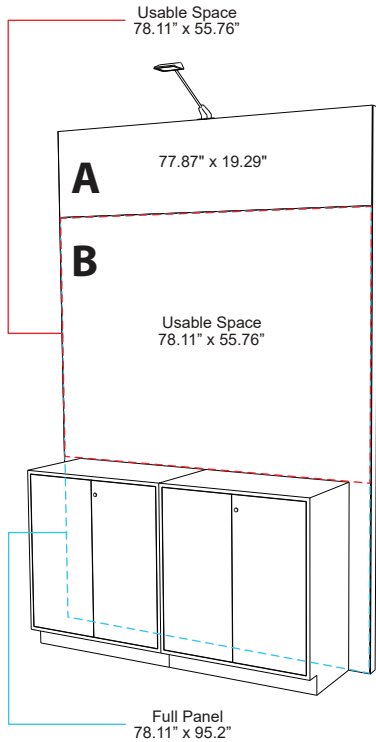
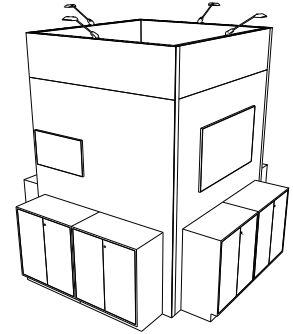
Please Note: Kiosk is included in your sponsorship package. For monitor rentals and exhibitor orders, a Credit Card must be on file to ensure payment. No Goods or services will be rendered without a credit card accompanying this order. Your preferred method of payment will be used, if other than the credit card on file, to complete this order at the close of the show. Please visit the Willwork Service Desk to finalize your invoice. No adjustment will be made after the close of the show.

GOLD KIOSK (EXPO)

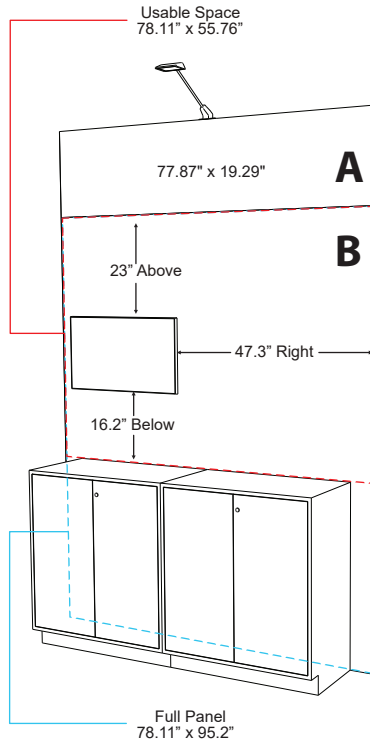
2M Wide x 9.5' Tall with Seamless SEG Graphics

GRAPHIC SUBMISSION GUIDELINES

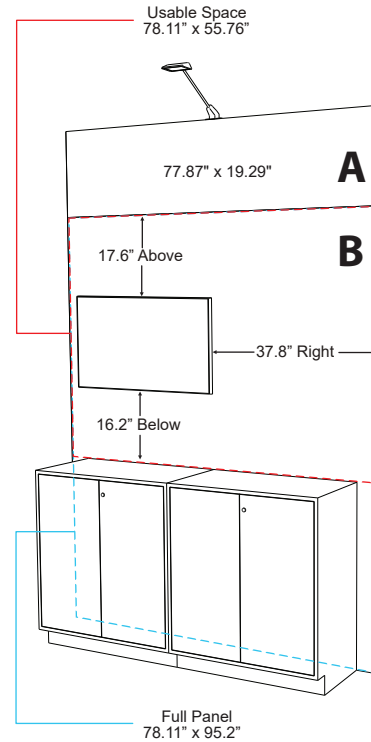
*Section A needs to include either the company name or company logo



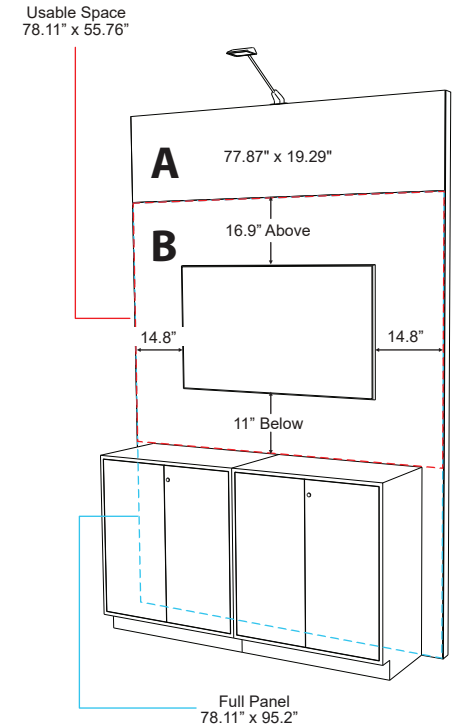
OPTION 1
 No Monitor



OPTION 2A
 Optional 32" Monitor



OPTION 2B
 Optional 43" Monitor



OPTION 3
 Optional 55" Monitor

*For Panel B – While the visible graphic area is only 78.11" x 55.76", the graphic file for submission must be 78.11" x 95.2"



Directions North America 2024

April 14-17, 2024

Sheraton San Diego Hotel & Marina, San Diego, CA

GOLD KIOSK (EXPO) ORDER FORM

WILLWORK
 7500 Exchange Drive,
 Orlando, FL 32809
 774-568-5425
 EXHIBITORSERVICES@WILLWORK.COM

ARTWORK SUBMISSION DEADLINE	2/15/2024
ARTWORK APPROVAL DEADLINE (all artwork submitted and approved)	3/7/2024
ARTWORK LATE APPROVAL PERIOD (Sponsor incurs 30% rush fee)	3/21/2024

Please note: If approved graphics are not received by Thursday, March 21, 2024, your company logo will be printed in lieu of your graphics.

PLEASE SUBMIT TWO ORDER FORMS, ONE FOR EACH KIOSK.

Description

GOLD KIOSK (EXPO)*

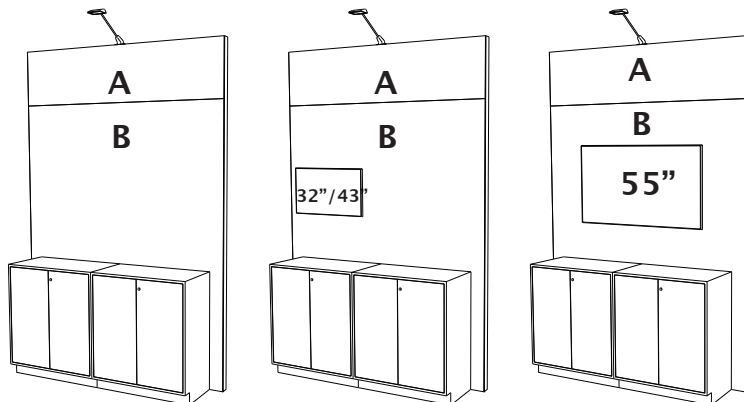
*Includes 2 Graphic Panels (A & B)

A. Header Panel: 77.87" wide x 19.29" high

File Name: _____

B. Back Panel: 78.11" wide x 95.2" high*

File Name: _____



OPTION 1

CIRCLE ONE

OPTION 2A
32" monitor

OPTION 2B
43" monitor

OPTION 3

32" Mounted Monitor is Optional
 Rental price is \$320.00 for the 32" monitor and includes the mount and HDMI cable.

43" Mounted Monitor is Optional
 Rental price is \$400.00 for the 43" monitor and includes the mount and HDMI cable.

55" Mounted Monitor is Optional
 Rental price is \$550.00 for the 55" monitor and includes the mount and HDMI cable.

PLEASE NOTE:

AV is NOT included.

*For Panel B – While the visible graphic area is only 78.11" x 55.76", the graphic file for submission must be 78.11" x 95.2". Please see page 1 for size breakdown.

**Electrical drop will be placed into the demo counter, as shown in the rendering. If you require additional drops, or placement of your drops to be in a location other than the back of your kiosk, please contact the Sheraton. If you need to upgrade your drops, you will be credited for the value of the drops included in your sponsorship package by the electrical services provider.

***If hardline Internet is required, please order separately. Please contact the Sheraton.

150 DPI – PRINTABLE PDF OR ILLUSTRATOR FILE – exhibitorservices@willwork.com

Please print or type information below:

Contact Name:	Email:
Telephone:	Fax:
Exhibiting Company Name:	Kiosk Number:

Please Note: Kiosk is included in your sponsorship package. For monitor rentals and exhibitor orders, a Credit Card must be on file to ensure payment. No Goods or services will be rendered without a credit card accompanying this order. Your preferred method of payment will be used, if other than the credit card on file, to complete this order at the close of the show. Please visit the Willwork Service Desk to finalize your invoice. No adjustment will be made after the close of the show.



Willwork

Global Event Services

WILLWORK

7500 Exchange Drive,
Orlando, FL 32809
774-568-5425

EXHIBITORSERVICES@WILLWORK.COM

Directions North America 2024

April 14-17, 2023

Sheraton San Diego Hotel & Marina, San Diego, CA

GOLD EXPO HALL HANGING BANNER ORDER FORM

ARTWORK SUBMISSION DEADLINE	2/15/2024
ARTWORK APPROVAL DEADLINE (all artwork submitted and approved)	3/7/2024
ARTWORK LATE APPROVAL PERIOD (Sponsor incurs 30% rush fee)	3/21/2024

Please note: If approved graphics are not received by Thursday, March 21, 2024, your company logo will be printed in lieu of your graphics.

Description

GOLD EXPO HALL HANGING BANNER*

Banner Size 36" wide x 96" high

File Name: _____

Specifications:

Full Bleed: 37.25" w x 97.25" t (includes .625" bleed on all four sides.)

Trim: 36" w x 96" t

Live Safe Area: Set all text at least 1" from crop line

Include Bleed Area and Crop Marks:

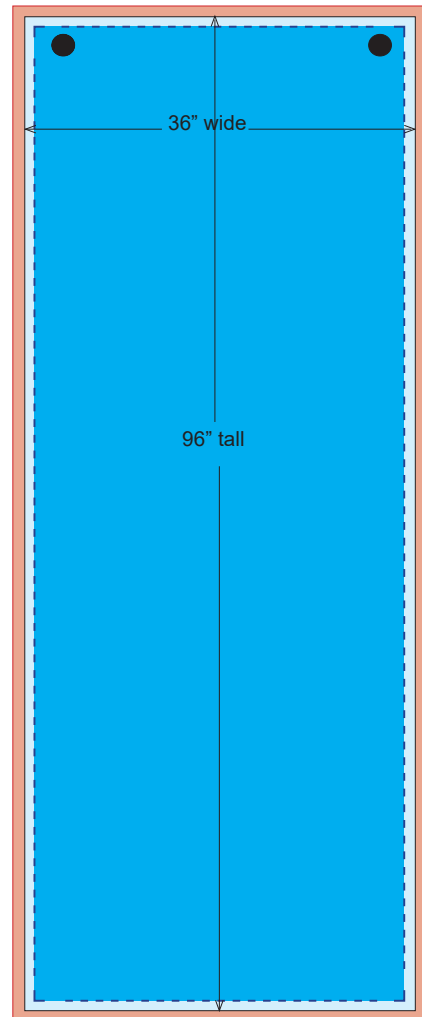
All files must have a 0.625" bleed on each side. Artwork must extend to the full bleed area (37.25" x 97.25"). On your PDF, please include bleed area and show crop marks at 36" x 96".

Grommets:

Grommets will be placed approximately 1.5" within the safe area at the top of the banner. Make sure you do not have any crucial text or graphics in areas where the grommets could interfere.

Pole Pockets:

A 3" pole pocket will be placed at the bottom of the banner. Some banners may have a 3" pole pocket instead of grommets at the top. Make sure you do not have any crucial text or graphics in areas where the pole pockets could interfere.



150 DPI – PRINTABLE PDF OR ILLUSTRATOR FILE – exhibitorservices@willwork.com

Please print or type information below:

Contact Name:	Email:	
Telephone:	Fax:	
Exhibiting Company Name:	Kiosk Number:	

Please Note: Kiosk is included in your sponsorship package. For monitor rentals and exhibitor orders, a Credit Card must be on file to ensure payment. No Goods or services will be rendered without a credit card accompanying this order. Your preferred method of payment will be used, if other than the credit card on file, to complete this order at the close of the show. Please visit the Willwork Service Desk to finalize your invoice. No adjustment will be made after the close of the show.



Willwork

Global Event Services

WILLWORK

7500 Exchange Drive,
Orlando, FL 32809
774-568-5425

EXHIBITORSERVICES@WILLWORK.COM

Directions North America 2024

April 14-17, 2023

Sheraton San Diego Hotel & Marina, San Diego, CA

GOLD GENERAL SESSION HANGING BANNER ORDER FORM

ARTWORK SUBMISSION DEADLINE	2/15/2024
ARTWORK APPROVAL DEADLINE (all artwork submitted and approved)	3/7/2024
ARTWORK LATE APPROVAL PERIOD (Sponsor incurs 30% rush fee)	3/21/2024

Please note: If approved graphics are not received by Thursday, March 21, 2024, your company logo will be printed in lieu of your graphics.

Description

GOLD GENERAL SESSION HANGING BANNER*

Banner Size 36" wide x 96" high

File Name: _____

Specifications:

Full Bleed: 37.25" w x 97.25" t (includes .625" bleed on all four sides.)

Trim: 36" w x 96" t

Live Safe Area: Set all text at least 1" from crop line

Include Bleed Area and Crop Marks:

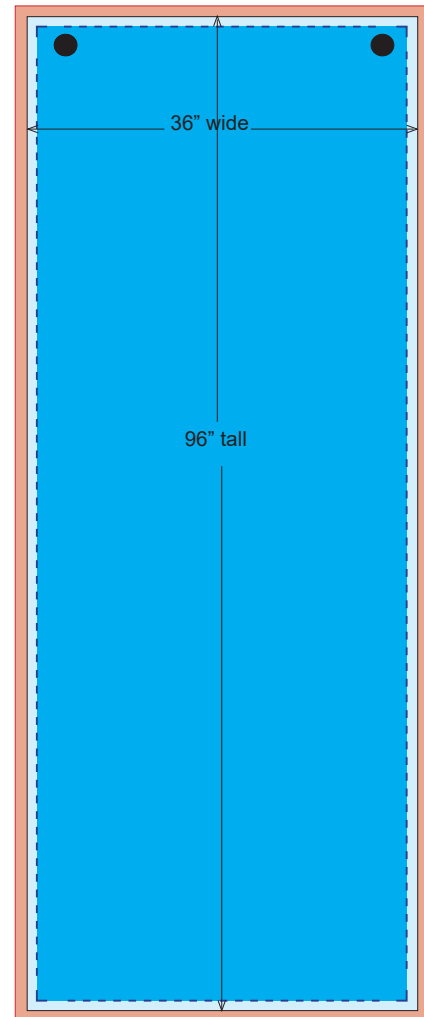
All files must have a 0.625" bleed on each side. Artwork must extend to the full bleed area (37.25" x 97.25"). On your PDF, please include bleed area and show crop marks at 36" x 96".

Grommets:

Grommets will be placed approximately 1.5" within the safe area at the top of the banner. Make sure you do not have any crucial text or graphics in areas where the grommets could interfere.

Pole Pockets:

A 3" pole pocket will be placed at the bottom of the banner. Some banners may have a 3" pole pocket instead of grommets at the top. Make sure you do not have any crucial text or graphics in areas where the pole pockets could interfere.



150 DPI – PRINTABLE PDF OR ILLUSTRATOR FILE – exhibitorservices@willwork.com

Please print or type information below:

Contact Name:	Email:	
Telephone:	Fax:	
Exhibiting Company Name:	Kiosk Number:	

Please Note: Kiosk is included in your sponsorship package. For monitor rentals and exhibitor orders, a Credit Card must be on file to ensure payment. No Goods or services will be rendered without a credit card accompanying this order. Your preferred method of payment will be used, if other than the credit card on file, to complete this order at the close of the show. Please visit the Willwork Service Desk to finalize your invoice. No adjustment will be made after the close of the show.