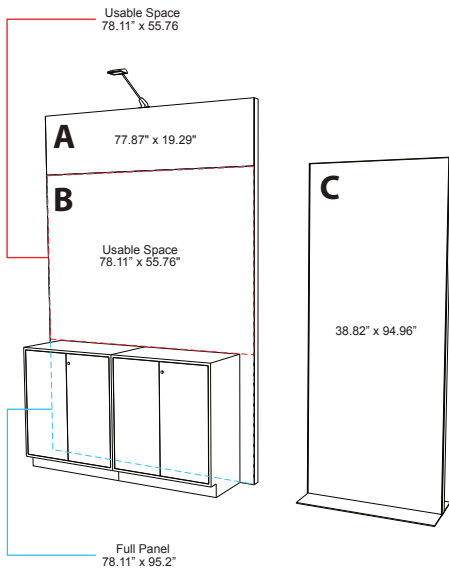


DIAMOND KIOSK (PREMIER)

2M Wide x 9.5' Tall with Seamless SEG Graphics and 3'x8' Standing Banner

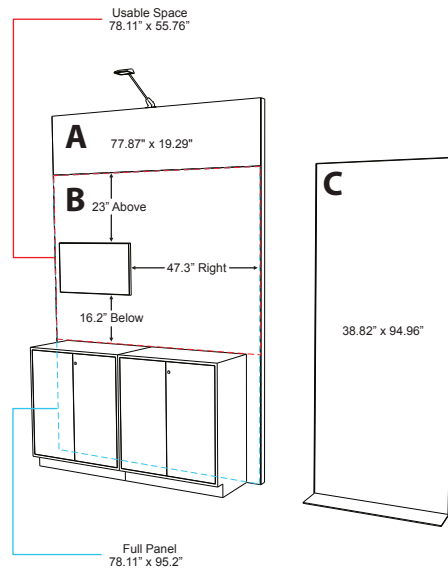
GRAPHIC SUBMISSION GUIDELINES

*Section A needs to include either the Company name or company logo



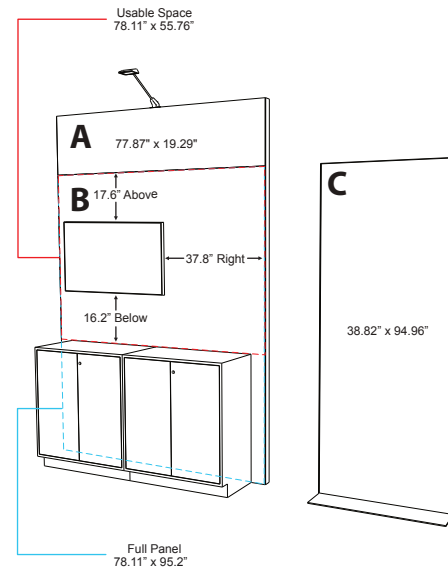
OPTION 1

No Monitor



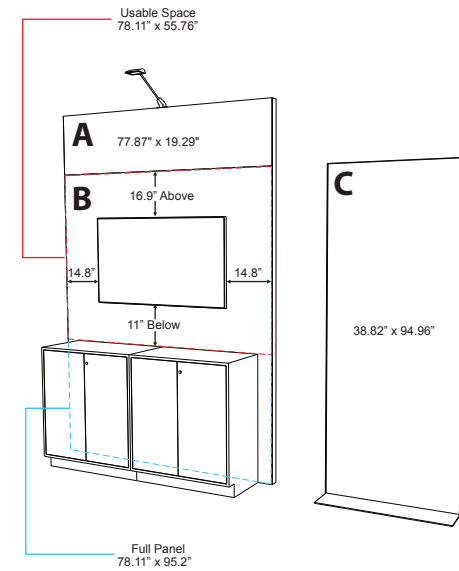
OPTION 2A

Optional 32" Monitor



OPTION 2B

Optional 43" Monitor



OPTION 3

Optional 55" Monitor

*For Panel B – While the visible graphic area is only 78.11" x 55.76", the graphic file for submission must be 78.11" x 95.2"



Directions North America 2025

Monday, April 7 – Wednesday, April 9, 2025
Virgin Hotels Las Vegas

WILLWORK
7500 Exchange Drive,
Orlando, FL 32809
774-568-5425

DIAMOND KIOSK (PREMIER) ORDER FORM

| | |
|--|-----------|
| ARTWORK SUBMISSION DEADLINE | 2/06/2025 |
| ARTWORK APPROVAL DEADLINE (all artwork submitted and approved) | 2/27/2025 |
| ARTWORK LATE APPROVAL PERIOD (Sponsor incurs 30% rush fee) | 3/13/2025 |

Please note: If approved graphics are not received by Thursday, March 13, 2025, your company logo will be printed in lieu of your graphics.

PLEASE SUBMIT TWO ORDER FORMS, ONE FOR EACH KIOSK.

Description

Diamond Kiosk (Premier)*

*Includes 2 Graphic Panels (A, B & C)

A. Header Panel: 77.87" wide x 19.29" high

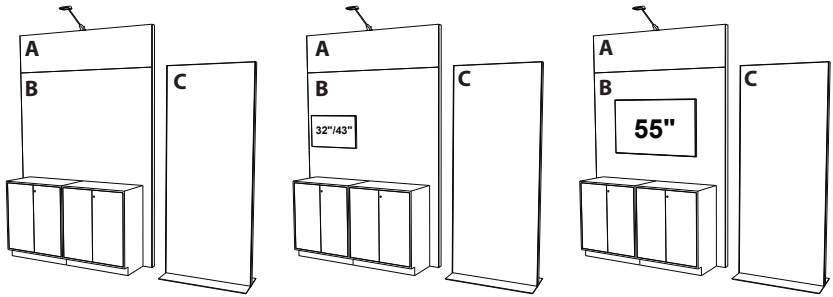
File Name: _____

B. Back Panel: 78.11" wide x 95.2" high*

File Name: _____

C. Standing Banner: 38.82" wide x 94.96" high*

File Name: _____



32" Mounted Monitor is Optional

Rental price is \$320.00 for the 32" monitor and includes the mount and HDMI cable.

43" Mounted Monitor is Optional

Rental price is \$400.00 for the 43" monitor and includes the mount and HDMI cable.

55" Mounted Monitor is Optional

Rental price is \$550.00 for the 55" monitor and includes the mount and HDMI cable.

CIRCLE ONE

OPTION 1

OPTION 2A
32" monitor

OPTION 3

OPTION 2B
43" monitor

Please email DirectionsGraphics@willwork.com with tv measurements once a size is chosen

PLEASE NOTE:

AV is NOT included.

*For Panel B – While the visible graphic area is only 78.11" x 55.76", the graphic file for submission must be 78.11" x 95.2". Please see page 1 for size breakdown.

**Electrical drop will be placed into the demo counter, as shown in the rendering. If you require additional drops, or placement of your drops to be in a location other than the back of your kiosk, please contact the Virgin Hotel. If you need to upgrade your drops, you will be credited for the value of the drops included in your sponsorship package by the electrical services provider.

***If hardline Internet is required, please order separately. Please contact the Virgin Hotel.

150 DPI – PRINTABLE PDF OR ILLUSTRATOR FILE – DirectionsGraphics@willwork.com

Please print or type information below:

| | | |
|--------------------------|--------|---------------|
| Contact Name: | Email: | |
| Telephone: | Fax: | |
| Exhibiting Company Name: | | Kiosk Number: |

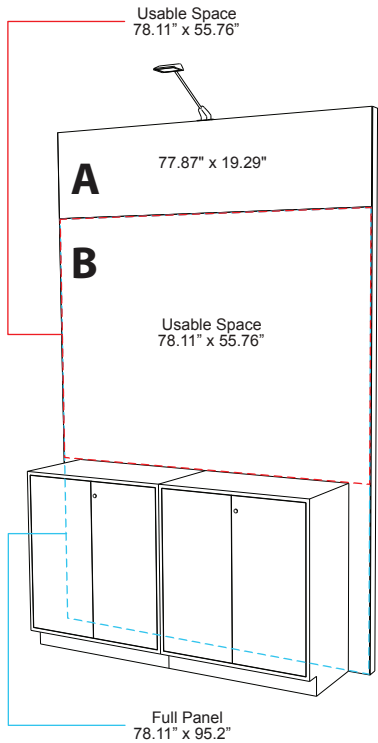
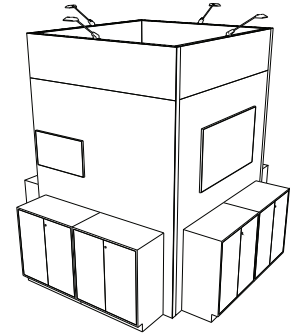
Please Note: Kiosk is included in your sponsorship package. For monitor rentals and exhibitor orders, a Credit Card must be on file to ensure payment. No Goods or services will be rendered without a credit card accompanying this order. Your preferred method of payment will be used, if other than the credit card on file, to complete this order at the close of the show. Please visit the Willwork Service Desk to finalize your invoice. No adjustment will be made after the close of the show.

DIAMOND KIOSK (EXPO)

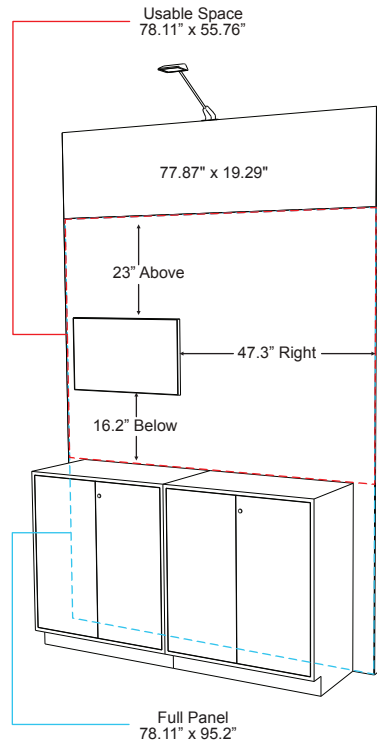
2M Wide x 9.5' Tall with Seamless SEG Graphics

GRAPHIC SUBMISSION GUIDELINES

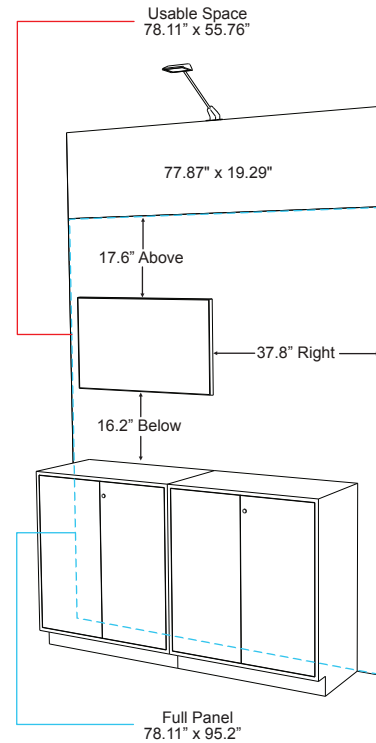
*Section A needs to include either the company name or company logo



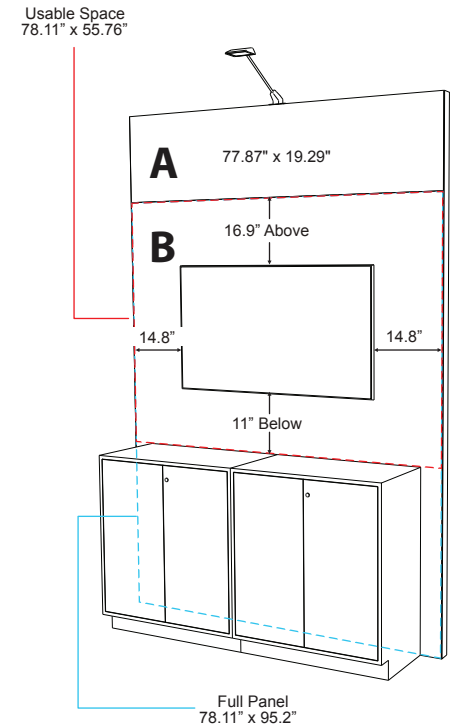
OPTION 1
 No Monitor



OPTION 2A
 Optional 32" Monitor



OPTION 2B
 Optional 43" Monitor



OPTION 3
 Optional 55" Monitor

*For Panel B – While the visible graphic area is only 78.11" x 55.76", the graphic file for submission must be 78.11" x 95.2"



Directions North America 2025

Monday, April 7 – Wednesday, April 9, 2025

Virgin Hotels Las Vegas

WILLWORK
7500 Exchange Drive,
Orlando, FL 32809
774-568-5425

DIAMOND KIOSK (EXPO) ORDER FORM

ARTWORK SUBMISSION DEADLINE2/6/2025
ARTWORK APPROVAL DEADLINE (all artwork submitted and approved)2/27/2025
ARTWORK LATE APPROVAL PERIOD (Sponsor incurs 30% rush fee)3/13/2025

Please note: If approved graphics are not received by Thursday, March 13, 2025, your company logo will be printed in lieu of your graphics.

PLEASE SUBMIT TWO ORDER FORMS, ONE FOR EACH KIOSK.

Description

DIAMOND KIOSK (Expo)*

*Includes 2 Graphic Panels (A & B)

A. Header Panel: 77.87" wide x 19.29" high

File Name: _____

B. Back Panel: 78.11" wide x 95.2" high*

File Name: _____

32" Mounted Monitor is Optional
Rental price is \$320.00 for the 32" monitor
and includes the mount and HDMI cable.

43" Mounted Monitor is Optional
Rental price is \$400.00 for the 43" monitor
and includes the mount and HDMI cable.

55" Mounted Monitor is Optional
Rental price is \$550.00 for the 55" monitor
and includes the mount and HDMI cable.

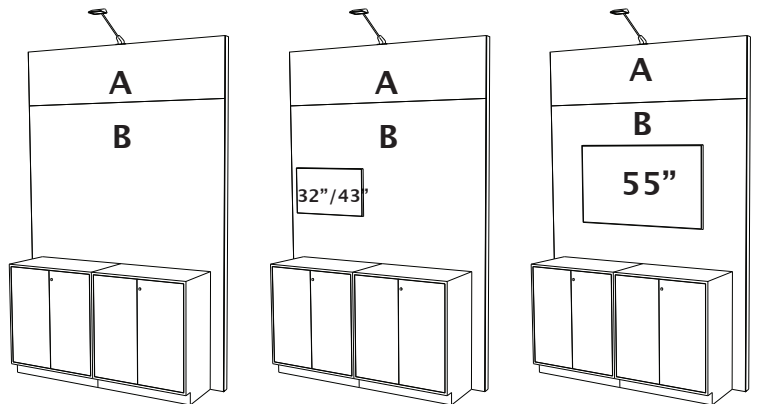
PLEASE NOTE:

AV is NOT included.

*For Panel B – While the visible graphic area is only 78.11" x 55.76", the graphic file for submission must be 78.11" x 95.2". Please see page 1 for size breakdown.

**Electrical drop will be placed into the demo counter, as shown in the rendering. If you require additional drops, or placement of your drops to be in a location other than the back of your kiosk, please contact the Virgin Hotel. If you need to upgrade your drops, you will be credited for the value of the drops included in your sponsorship package by the electrical services provider.

***If hardline Internet is required, please order separately. Please contact the Virgin Hotel.



CIRCLE ONE

OPTION 1

OPTION 2A
32" monitor

OPTION 3

OPTION 2B
43" monitor

Please email DirectionsGraphics@willwork.com with tv measurements once a size is chosen

150 DPI – PRINTABLE PDF OR ILLUSTRATOR FILE – DirectionsGraphics@willwork.com

Please print or type information below:

| | | |
|--------------------------|---------------|--|
| Contact Name: | Email: | |
| Telephone: | Fax: | |
| Exhibiting Company Name: | Kiosk Number: | |

Please Note: Kiosk is included in your sponsorship package. For monitor rentals and exhibitor orders, a Credit Card must be on file to ensure payment. No Goods or services will be rendered without a credit card accompanying this order. Your preferred method of payment will be used, if other than the credit card on file, to complete this order at the close of the show. Please visit the Willwork Service Desk to finalize your invoice. No adjustment will be made after the close of the show.



Directions North America 2025

Monday, April 7 – Wednesday, April 9, 2025
Virgin Hotels Las Vegas

DIAMOND EXPO HALL HANGING BANNER ORDER FORM

WILLWORK
7500 Exchange Drive,
Orlando, FL 32809
774-568-5425

ARTWORK SUBMISSION DEADLINE2/6/2025
ARTWORK APPROVAL DEADLINE (all artwork submitted and approved).....2/27/2025
ARTWORK LATE APPROVAL PERIOD (Sponsor incurs 30% rush fee).....3/13/2025

Please note: If approved graphics are not received by Thursday, March 13, 2025, your company logo will be printed in lieu of your graphics.

Description

DIAMOND EXPO HALL HANGING BANNER*

Banner Size 36" wide x 96" high

File Name: _____

Specifications:

Full Bleed: 37.25" w x 97.25" t (includes .625" bleed on all four sides.)

Trim: 36" w x 96" t

Live Safe Area: Set all text at least 1" from crop line

Include Bleed Area and Crop Marks:

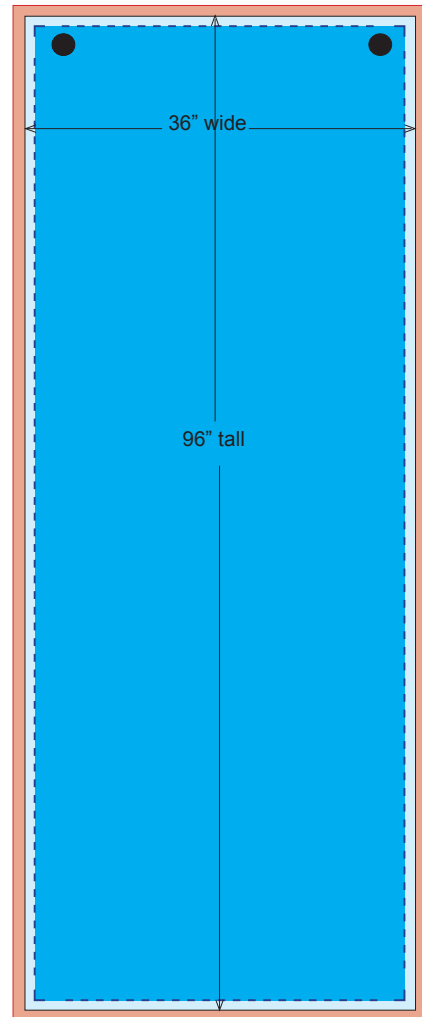
All files must have a 0.625" bleed on each side. Artwork must extend to the full bleed area (37.25" x 97.25"). On your PDF, please include bleed area and show crop marks at 36" x 96".

Grommets:

Grommets will be placed approximately 1.5" within the safe area at the top of the banner. Make sure you do not have any crucial text or graphics in areas where the grommets could interfere.

Pole Pockets:

A 3" pole pocket will be placed at the bottom of the banner. Some banners may have a 3" pole pocket instead of grommets at the top. Make sure you do not have any crucial text or graphics in areas where the pole pockets could interfere.



150 DPI – PRINTABLE PDF OR ILLUSTRATOR FILE – DirectionsGraphics@willwork.com

Please print or type information below:

| | | |
|--------------------------|---------------|--|
| Contact Name: | Email: | |
| Telephone: | Fax: | |
| Exhibiting Company Name: | Kiosk Number: | |

Please Note: Kiosk is included in your sponsorship package. For monitor rentals and exhibitor orders, a Credit Card must be on file to ensure payment. No Goods or services will be rendered without a credit card accompanying this order. Your preferred method of payment will be used, if other than the credit card on file, to complete this order at the close of the show. Please visit the Willwork Service Desk to finalize your invoice. No adjustment will be made after the close of the show.



Directions North America 2025

Monday, April 7 – Wednesday, April 9, 2025
Virgin Hotels Las Vegas

DIAMOND GENERAL SESSION HANGING BANNER ORDER FORM

WILLWORK
7500 Exchange Drive,
Orlando, FL 32809
774-568-5425

| | |
|---|-----------|
| ARTWORK SUBMISSION DEADLINE | 2/6/2025 |
| ARTWORK APPROVAL DEADLINE (all artwork submitted and approved)..... | 2/27/2025 |
| ARTWORK LATE APPROVAL PERIOD (Sponsor incurs 30% rush fee)..... | 3/13/2025 |

Please note: If approved graphics are not received by Thursday, March 13, 2025, your company logo will be printed in lieu of your graphics.

Description

DIAMOND GENERAL SESSION HANGING BANNER*

Banner Size 36" wide x 96" high

File Name: _____

Specifications:

Full Bleed: 37.25" w x 97.25" t (includes .625" bleed on all four sides.)

Trim: 36" w x 96" t

Live Safe Area: Set all text at least 1" from crop line

Include Bleed Area and Crop Marks:

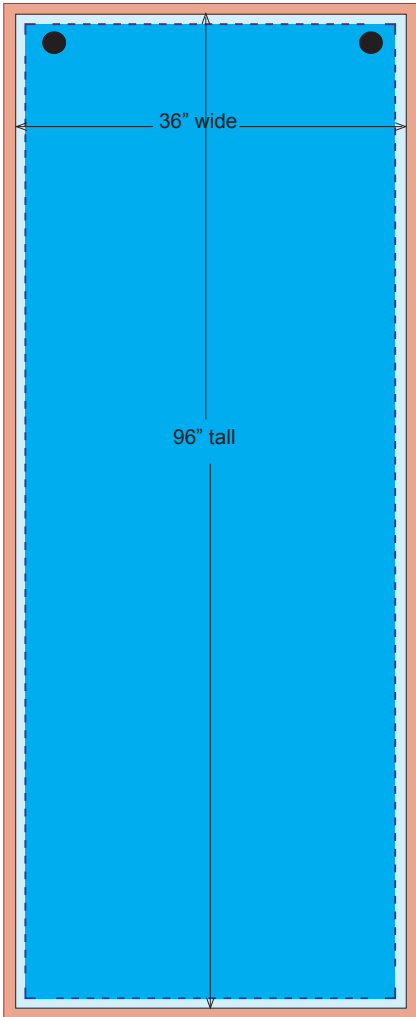
All files must have a 0.625" bleed on each side. Artwork must extend to the full bleed area (37.25" x 97.25"). On your PDF, please include bleed area and show crop marks at 36" x 96".

Grommets:

Grommets will be placed approximately 1.5" within the safe area at the top of the banner. Make sure you do not have any crucial text or graphics in areas where the grommets could interfere.

Pole Pockets:

A 3" pole pocket will be placed at the bottom of the banner. Some banners may have a 3" pole pocket instead of grommets at the top. Make sure you do not have any crucial text or graphics in areas where the pole pockets could interfere.



150 DPI – PRINTABLE PDF OR ILLUSTRATOR FILE – DirectionsGraphics@willwork.com

Please print or type information below:

| | | |
|--------------------------|---------------|--|
| Contact Name: | Email: | |
| Telephone: | Fax: | |
| Exhibiting Company Name: | Kiosk Number: | |

Please Note: Kiosk is included in your sponsorship package. For monitor rentals and exhibitor orders, a Credit Card must be on file to ensure payment. No Goods or services will be rendered without a credit card accompanying this order. Your preferred method of payment will be used, if other than the credit card on file, to complete this order at the close of the show. Please visit the Willwork Service Desk to finalize your invoice. No adjustment will be made after the close of the show.